

# STUART MARINE CORP.

Sailboats

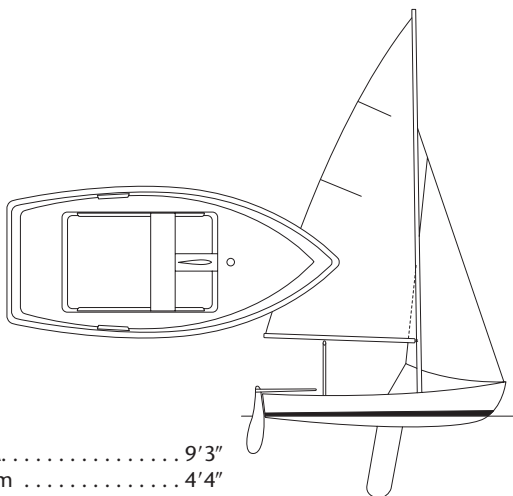
**Stuart Marine Corp.**, the exclusive builder of the Rhodes 19, Mariner, Stuart 9, and JC 9, is located on Penobscot Bay in Rockland, Maine. The business opened in 1982 to carry on the production of two Philip Rhodes/O'Day Corporation one-design sailboat classics, the Rhodes 19 and Mariner. The construction of Stuart 9 rowing dinghies and JC 9 sailing dinghies began in 1992. The owner, David Whittier, and his crew manufacture each boat from start to finish in their modern boatbuilding facility. The sailboats and dinghies are built with traditional hand-laminated fiberglass, positive foam flotation, double-hull construction, and proven brand suppliers of hardware, rigging, and sails. These conditions all work to guarantee the exceptional quality, value, and demand for Stuart Marine Corp. sailboats.



**Stuart Marine Corp.**  
 P.O. Box 469, 38 Gordon Dr.  
 Rockland, ME 04841, 207-594-5515  
[www.stuartmarine.net](http://www.stuartmarine.net), email: [stuart@midcoast.com](mailto:stuart@midcoast.com)

## Stuart 9/JC 9

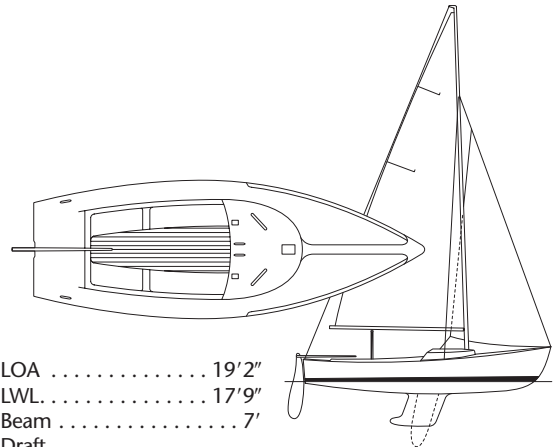
The JC 9 sailing dinghy was designed for frostbiting by adults in the cold, choppy waters of New England. Her popularity increased as a trainer for young and new sailors. Her main-and-jib sail combination promotes sail-handling skills, while her quick, stable hull offers performance and security.  
[www.stuart9.info](http://www.stuart9.info) and [www.jc9.info](http://www.jc9.info)



LOA ..... 9'3"  
 Beam ..... 4'4"  
 Draft  
   daggerboard up ..... 6"  
   daggerboard down ..... 3'  
 Weight ..... 145 lbs.  
 Sail area (total) ..... 57 sq. ft.  
 Year introduced ..... 1992

## Rhodes 19

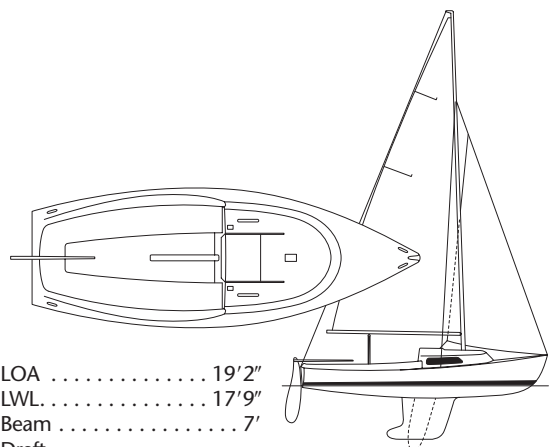
The classically styled Rhodes 19, available in fixed-keel or fully retractable centerboard models, is the ideal family daysailer or spirited class racer. She's an accomplished heavy-weather performer built upon a fast and forgiving hull. Forty-five years and 3,000 hulls have proven her design, construction, and character.  
[www.rhodes19.info](http://www.rhodes19.info)



LOA ..... 19'2"  
 LWL ..... 17'9"  
 Beam ..... 7'  
 Draft  
   keel ..... 3'3"  
   centerboard up ..... 10"  
   centerboard down ..... 4'11"  
 Displacement (centerboard/keel) ..... 1,030/1,325 lbs.  
 Sail area (total) ..... 175 sq. ft.  
 Year introduced ..... 1959

## Mariner

The sturdy Mariner is built directly off the Rhodes 19 hull for those sailors demanding a comfortable daysailer with four sleeping berths, potty locker, and self-bailing cockpit. For over forty years and 4,000 hulls, the rugged and practical construction of the Mariner has guaranteed high performance and low maintenance for families everywhere. [www.mariner19.info](http://www.mariner19.info)



LOA ..... 19'2"  
 LWL ..... 17'9"  
 Beam ..... 7'  
 Draft  
   keel ..... 3'3"  
   centerboard up ..... 10"  
   centerboard down ..... 4'11"  
 Displacement (centerboard/keel) ..... 1,305/1,435 lbs.  
 Sail area (total) ..... 185 sq. ft.  
 Year introduced ..... 1962